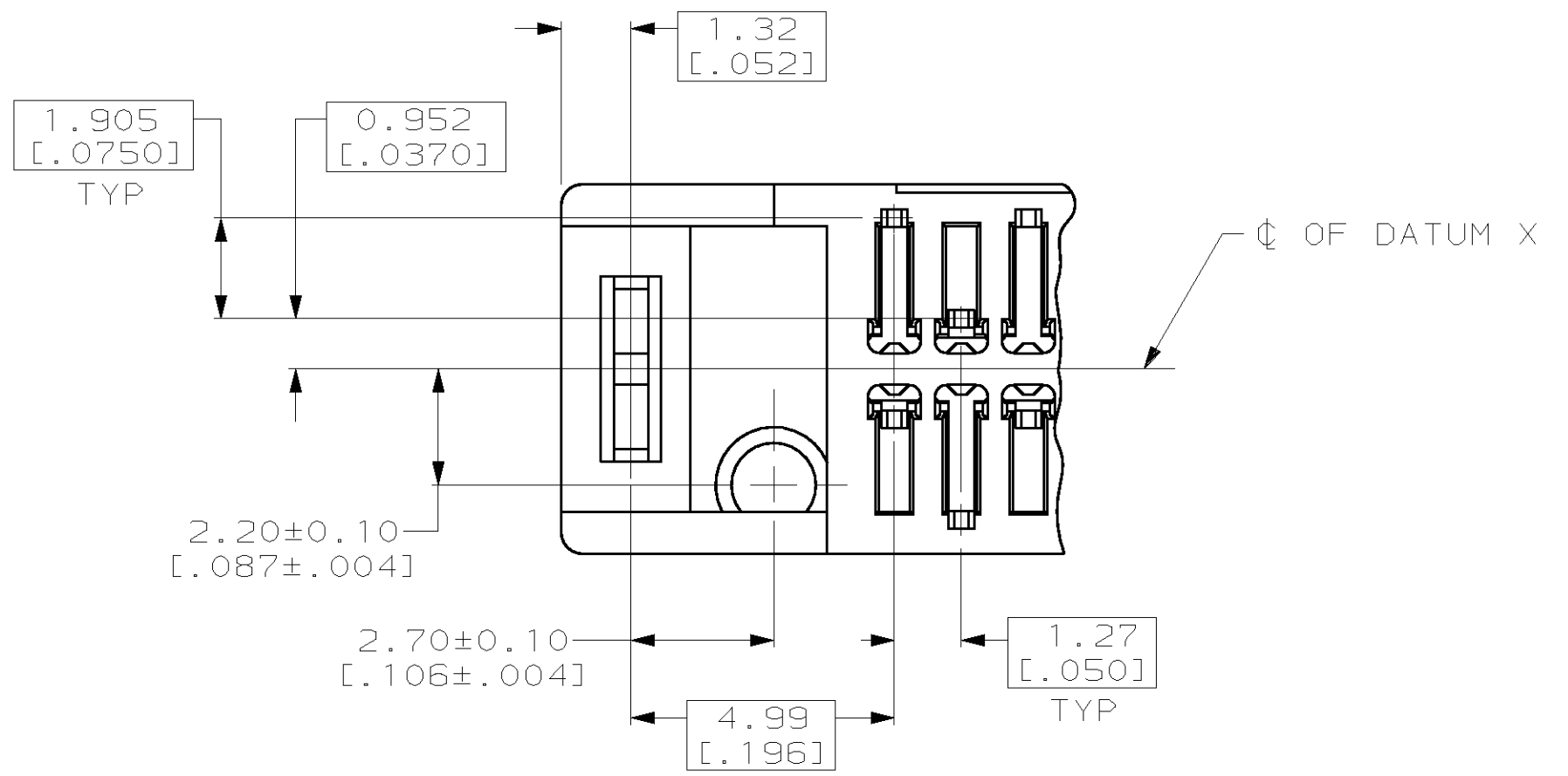
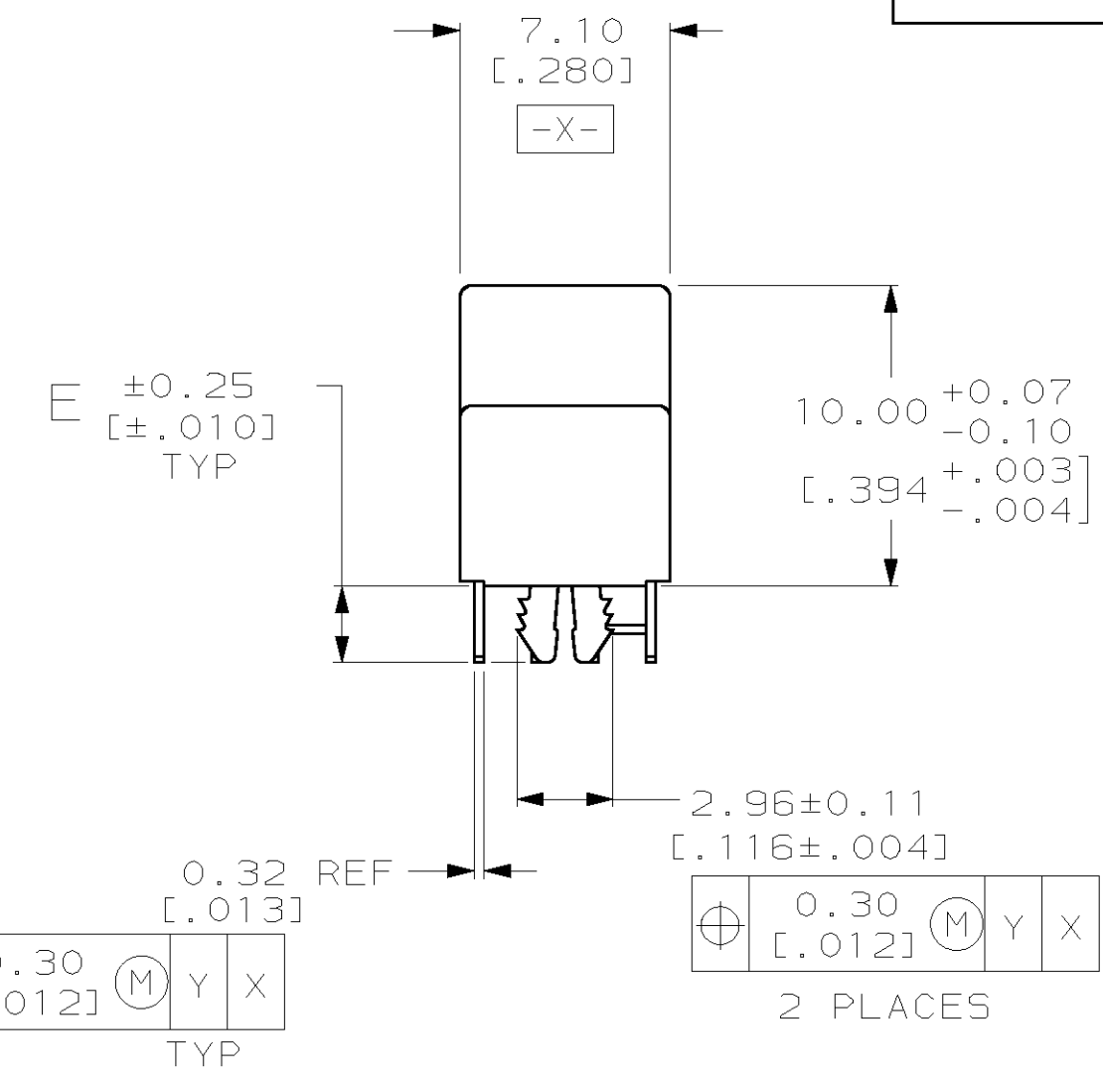
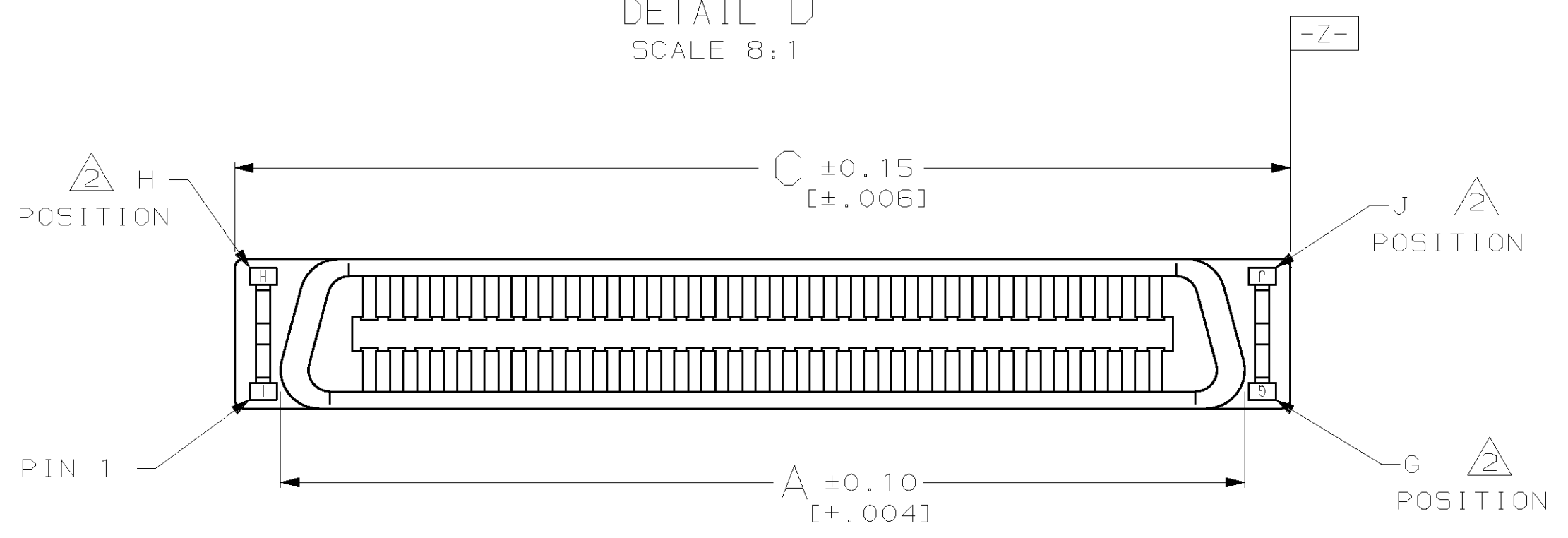


LOC		DIST		P		F		ZONE		LTR		REVISIONS		DATE	APPD	
DW	00												AE	REVISED PER EC 0513-0432-03	05JAN04	JG



DETAIL D  
SCALE 8:1

- 1 MATERIALS:  
 HOUSING- LIQUID CRYSTAL POLYMER (LCP)  
 MOLDING COMPOUND, 94V-0, BLACK.  
 CONTACTS- PHOSPHOR BRONZE PLATED WITH  
 MINIMUM THICK (SEE TABLE) GOLD IN CONTACT  
 AREA AND 3.81µm [.000150] MINIMUM THICK  
 TIN-LEAD ON SOLDER TINES OVER 1.27µm  
 [.000050] MINIMUM THICK NICKEL UNDERPLATE.  
 RETENTION LEG- BRASS PLATED WITH 3.81µm  
 [.000150] MINIMUM TIN-LEAD OVER 1.27µm  
 [.000050] MINIMUM NICKEL UNDERPLATE.
- 2 G, J AND H INDICATE NUMBER OF POSITION  
 MARKED ON ASSEMBLY. ALSO SEE TABLE.
- 3 ALL DIMENSIONS SHOWN ARE MAXIMUM UNLESS  
 OTHERWISE SPECIFIED.
4. 60 POSITION AS SHOWN.
- 5 RETENTION LEGS NOT PRESENT.
- 6 TOP OF RETENTION LEG MAY NOT PROTRUDE ABOVE THIS SURFACE.
- 7 HOUSING BOW UP TO 0.30 [.012] ALLOWED.



		2.08 [.082]	3.17 [.125]	74.85 [2.947]	72.21 [2.843]	70.57 [2.778]	50	100	51	0.00076 [.000030]	100	5-557102-5
		2.08 [.082]	3.17 [.125]	24.05 [.947]	21.41 [.843]	19.77 [.778]	10	20	11	0.00076 [.000030]	20	5-557102-4
		0.80-1.60 [.031-.063]	2.54 [.100]	125.65 [4.947]	123.01 [4.843]	121.37 [4.778]	90	180	91	0.00076 [.000030]	180	5-557102-3
OBSOLETE		0.80-1.60 [.031-.063]	2.54 [.100]	100.25 [3.947]	97.61 [3.843]	95.97 [3.778]	70	140	71	0.00076 [.000030]	140	4-557102-9
OBSOLETE		0.80-1.60 [.031-.063]	2.54 [.100]	138.35 [5.447]	135.71 [5.343]	134.07 [5.278]	100	200	101	0.00076 [.000030]	200	4-557102-1
		0.80-1.60 [.031-.063]	2.54 [.100]	112.95 [4.447]	110.31 [4.343]	108.67 [4.278]	80	160	81	0.00076 [.000030]	160	3-557102-7
		0.80-1.60 [.031-.063]	2.54 [.100]	93.90 [3.697]	91.26 [3.593]	89.62 [3.528]	65	130	66	0.00076 [.000030]	130	3-557102-3
		0.80-1.60 [.031-.063]	2.54 [.100]	87.55 [3.447]	84.91 [3.343]	83.27 [3.278]	60	120	61	0.00076 [.000030]	120	2-557102-9
		0.80-1.60 [.031-.063]	2.54 [.100]	74.85 [2.947]	72.21 [2.843]	70.57 [2.778]	50	100	51	0.00076 [.000030]	100	2-557102-5
		0.80-1.60 [.031-.063]	2.54 [.100]	62.15 [2.447]	59.51 [2.343]	57.87 [2.278]	40	80	41	0.00076 [.000030]	80	2-557102-2
		0.80-1.60 [.031-.063]	2.54 [.100]	62.15 [2.447]	59.51 [2.343]	57.87 [2.278]	40	80	41	0.00076 [.000030]	80	2-557102-1
		0.80-1.60 [.031-.063]	2.54 [.100]	54.53 [2.147]	51.89 [2.043]	50.25 [1.978]	34	68	35	0.00076 [.000030]	68	1-557102-7
		0.80-1.60 [.031-.063]	2.54 [.100]	49.45 [1.947]	46.81 [1.843]	45.17 [1.778]	30	60	31	0.00076 [.000030]	60	1-557102-3
		0.80-1.60 [.031-.063]	2.54 [.100]	43.10 [1.697]	40.46 [1.593]	38.82 [1.528]	25	50	26	0.00076 [.000030]	50	557102-9
		0.80-1.60 [.031-.063]	2.54 [.100]	36.75 [1.447]	34.11 [1.343]	32.47 [1.278]	20	40	21	0.00076 [.000030]	40	557102-5
		0.80-1.60 [.031-.063]	2.54 [.100]	30.40 [1.197]	27.76 [1.093]	26.12 [1.028]	15	30	16	0.00076 [.000030]	30	557102-1
PCB THICKNESS	E	C	B	A	G	J	H			GOLD	POSN	PART NO

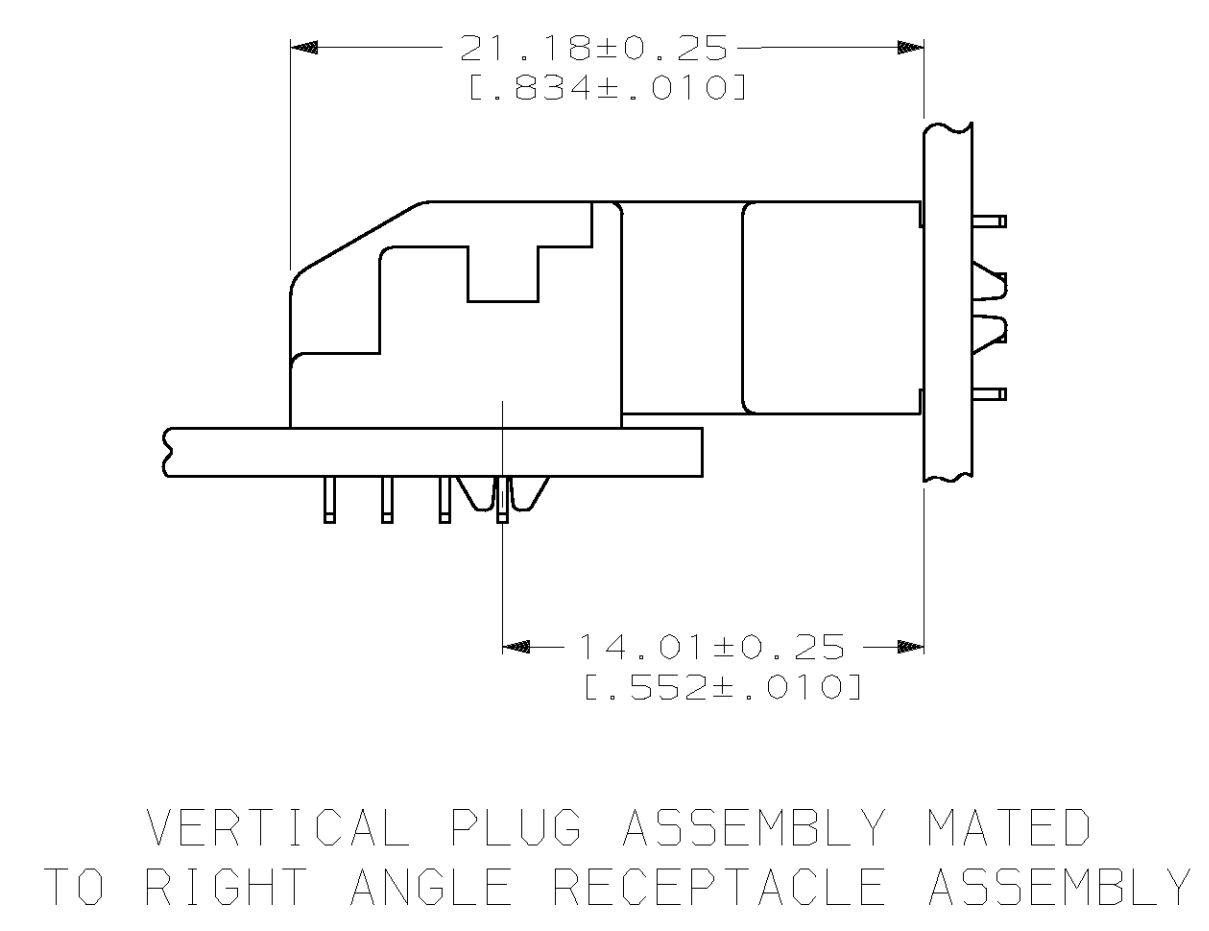
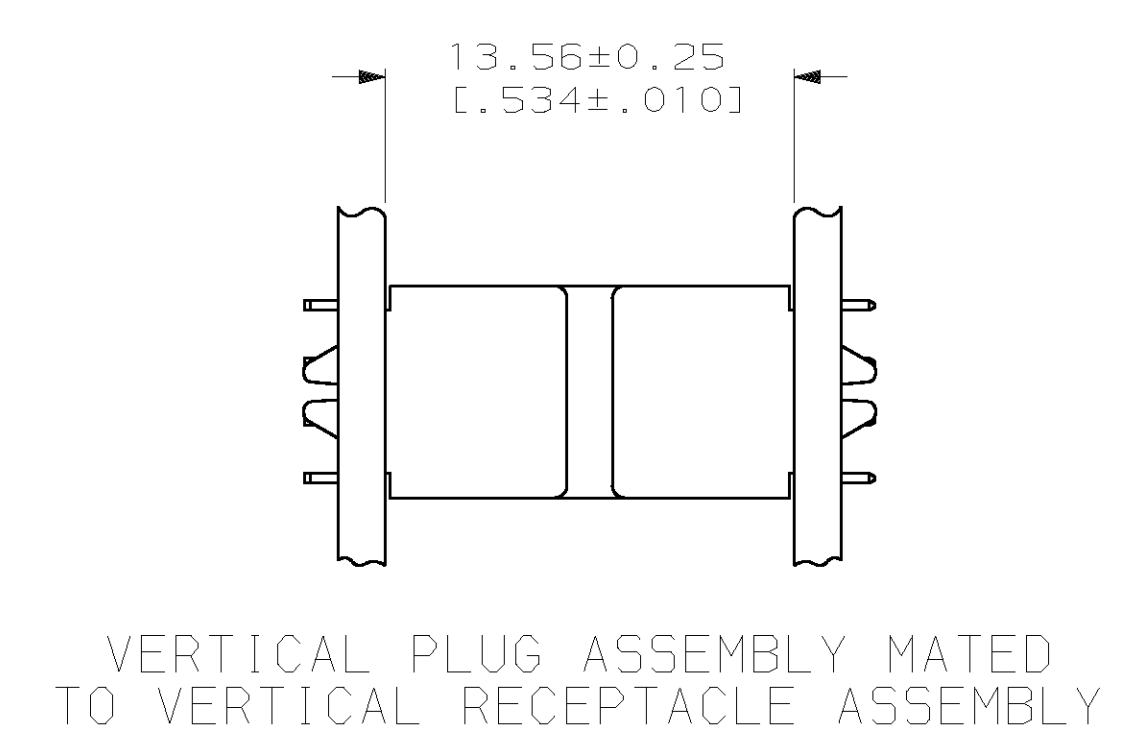
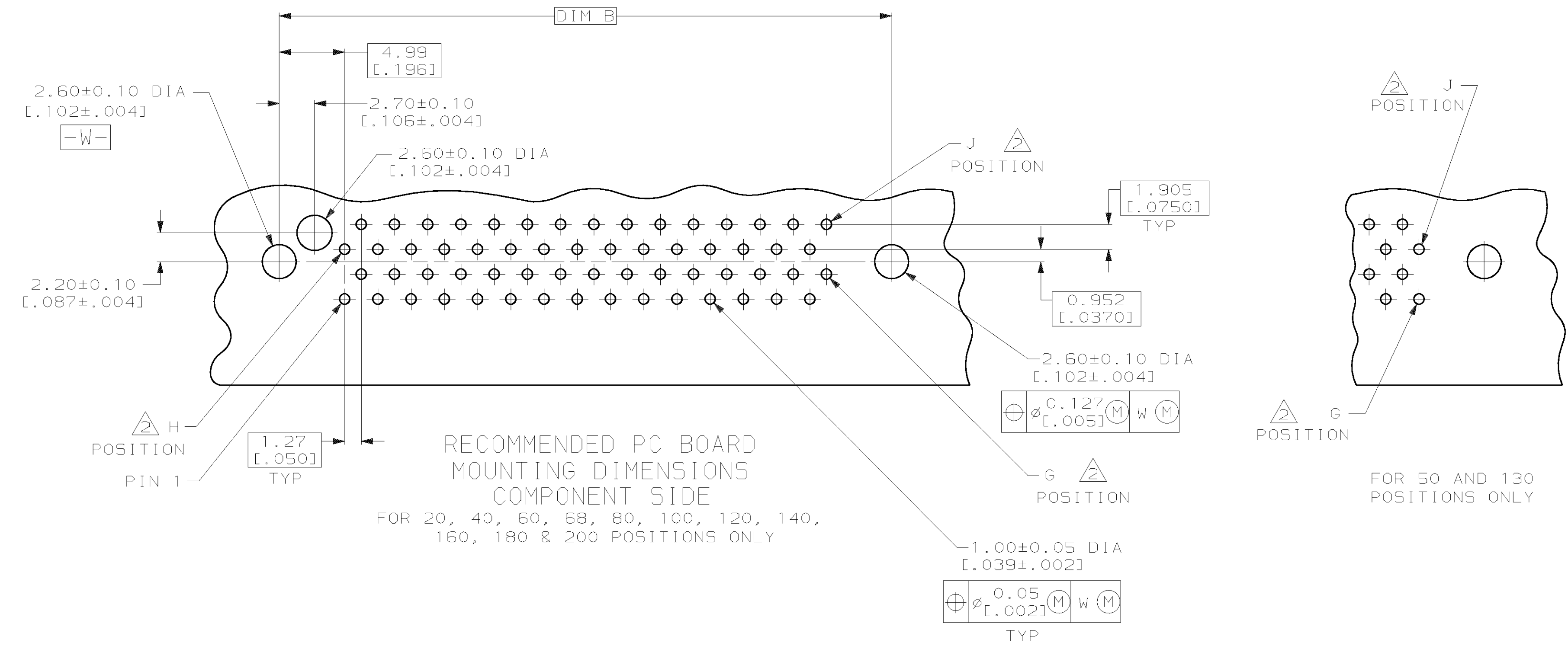
DO NOT SCALE PRINT.  
 UNLESS SPECIFIED  
 DIMENSIONS IN mm [INCHES]  
 TOLERANCES ON:  
 2 PLC DEC ±  
 3 PLC DEC ±  
 ANGLES ±

DR 8-29-89  
A.HOLT  
 CHK 10-3-89  
N.JONES  
 APPD 12-4-89  
T.PIZZULO  
 APPD 12-4-89  
J.B.WILKERSON  
 PRODUCT SPEC  
108-1367  
 APPLICATION SPEC  
114-6045  
 WEIGHT

**AMP** AMP INCORPORATED  
 Harrisburg, Pa. 17105  
 NAME  
**PLUG ASSEMBLY, VERTICAL,  
 13.2 mm, BOARD-TO-BOARD,  
 CHAMP .050, SERIES I**  
 SIZE **D** CAGE CODE **00779** DRAWING NO **557102**  
 SCALE 4:1 SHEET 1 OF 2

THIS DRAWING IS A CONTROLLED DOCUMENT FOR  
 AMP INCORPORATED. IT IS SUBJECT TO CHANGE  
 AND THE CONTROLLING ENGINEERING ORGANIZATION  
 SHOULD BE CONTACTED FOR THE LATEST REVISION.

LOC		DIST		P		F		ZONE		LTR		REVISIONS		DATE	APPD
Dw	00												SEE SHEET 1	-	-



DO NOT SCALE PRINT. UNLESS SPECIFIED DIMENSIONS IN mm [INCHES] TOLERANCES ON:		DR 08/29/89 A.HOLT		AMP Incorporated Harrisburg, PA 17105-3508	
2 PLC DEC ± -	3	CHK 10/03/89 N.JONES	NAME		
ANGLES ± -		APPD 12/04/89 T.PIZZULO	PLUG ASSEMBLY, VERTICAL, 13.2 mm, BOARD-TO-BOARD, CHAMP .050, SERIES I		
MATERIAL		APPD 12/04/89 J.WILKERSON	PRODUCT SPEC	SIZE	CAGE CODE
				D	00779
FINISH		APPLICATION SPEC		DRAWING NO	C=557102
			WEIGHT	SCALE	4:1
				SHEET	2 OF 2

THIS DRAWING IS A CONTROLLED DOCUMENT FOR  
 AMP INCORPORATED. IT IS SUBJECT TO CHANGE  
 AND THE CONTROLLING ENGINEERING ORGANIZATION  
 SHOULD BE CONTACTED FOR THE LATEST REVISION.